

DCG

Recessed LED Gimbal Downlight

Product Description

The DCG Recessed LED Gimbal Downlight Series provides an economical and straightforward solution for transitioning from traditional incandescent lighting to a durable, energy-efficient LED system. Its user-friendly twist-and-turn mechanism ensures precise gimbal positioning, offering up to 350° of rotation and 30° of adjustable tilt for the 4" version and up to 354° of rotation and 30° of adjustable tilt for the 6" model, making it a versatile solution for sloped ceilings and wall wash applications. With its sleek, flush-mounted design, the DCG not only delivers exceptional functionality but also enhances the aesthetic appeal of any interior space.

Construction

- Durable polymer flange
- Matte black color
- Fully captured V-springs on 6"
- Friction fit arms on 4"

Optical System

- Polystyrene diffuser creates uniform light distribution with reduced glare
- Selectable models use a dual emitter array that enables CCT selection of 27k/30k/35k/40k/50k
- Beam angle of 90°
- Utilizes high performing LEDs with 90+ CRI and an R9 > 50

Electrical

- Input voltage 120VAC, 60Hz
- Power factor: ≥ 0.97
- THD $\leq 20\%$
- CCT selection switch on back of housing
- Dimmable to 5% with compatible leading edge (TRIAC) or trailing edge (ELV) dimmers
- Operating temperature of -4°F to 104°F (-20°C to 40°C)

Mounting and installation

- Compatible with most 4" or 5" & 6" recessed housings
- Suitable for IC-rated housings
- Quick and easy installation with an IDEAL luminaire connector and friction fit mounting system
- Ships with Edison base socket string (GU24 socket string available)

Listings

- cETLus 1598 Classified for damp locations
- CA Title 24 compliant (JA8)
- Compliant with NFPA® 70, NEC® Section 410.16 (A)(3) and 410.16 (C)(5) for closet use
- RoHS Compliant: Free from harmful and hazardous materials
- Meets FCC Part 15, Subpart B, Class B standards for conducted and radiated emissions
- TM-21 Reported L70(10K) hours = 54,000hrs
- LM-79, LM-80 testing performed in accordance with IESNA standards
- Meets FCC Part 15, Subpart B, Class B standards for conducted and radiated emissions

Warranty

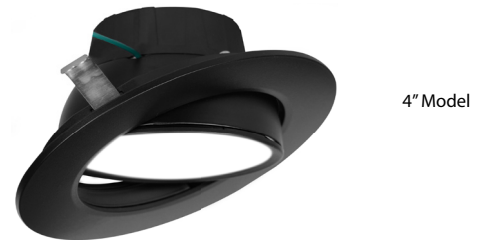
- 5-year limited system warranty standard
- Warranty does not cover product failure due to an overvoltage event (power surge.) For installations where power surge may be possible, NICOR recommends installing additional surge protection at the electrical distribution panel

Project

Catalog

Type

Date



DCGv3
Recessed LED Gimbal Downlight
700 & 900 Lumens
Selectable CCT



Ordering

Ordering Information

Example: DCG43120SBK

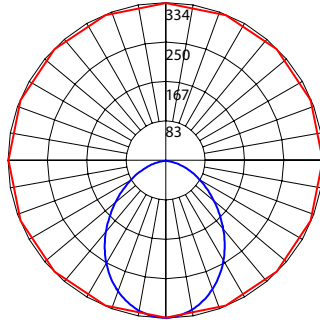
Series	Version	Voltage	CCT's	Trim
DCG4 (4")	3	120	S (Select : 27/30/35/40/50K)	BLACK
DCG6 (6")				WHITE

Specifications and dimensions subject to change without notice. Please refer to the website for the most up-to-date information.

Photometric Data

DCG4 2700K

Input Voltage (VAC)	120
System Level Power (W)	7.4
Delivered Lumens (Lm)	719
System Efficacy (Lm/W)	96.9
Correlated Color Temp (K)	2718
Color Rendering Index (CRI)	91.8
Beam Angle (0)	89.9
Beam Angle (90)	90.2
Spacing Criteria (0)	1.14
Spacing Criteria (90)	1.12



Intensity Summary (Candle Power)

Angle	Mean CP
0	1344
5	1400
15	1422
25	1497
35	1608
45	1527
55	1147
65	827
75	475
85	175
90	108

CCT Data Multiplier

2700K	1.000
3000K	1.017
3500K	1.038
4000K	1.046
5000K	1.068

Cone of Light Tabulation

Mounted height (Feet)	Footcandles Beam Center	Diameter (Feet)
4	20.8	8.0
6	9.2	12.0
8	5.2	16.0
10	3.3	20.0
12	2.3	24.0
14	1.7	28.0
16	1.3	31.9

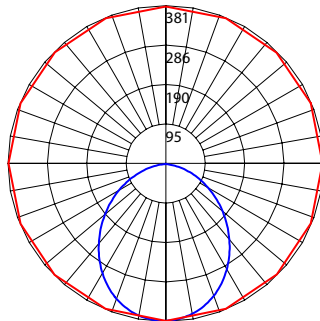
Zonal Lumen Summary

Zone	Lumens	% of Luminaire
0-30	244	33.9%
0-40	384	53.3%
0-60	614	85.3%
0-90	719	100%
90-180	0	0%
0-180	719	100%

Fixture tested per LM-79-08. Photometric data is of the performance of a representative fixture. Results may vary in the field.

DCG6 2700K

Input Voltage (VAC)	120
System Level Power (W)	9.4
Delivered Lumens (Lm)	921
System Efficacy (Lm/W)	98.4
Correlated Color Temp (K)	2722
Color Rendering Index (CRI)	92
Beam Angle (0)	99.1
Beam Angle (90)	99.2
Spacing Criteria (0)	1.18
Spacing Criteria (90)	1.18



Intensity Summary (Candle Power)

Angle	Mean CP
0	1344
5	1400
15	1422
25	1497
35	1608
45	1527
55	1147
65	827
75	475
85	175
90	108

CCT Data Multiplier

2700K	1.000
3000K	0.9844
3500K	0.9609
4000K	0.9621
5000K	0.9827

Cone of Light Tabulation

Mounted height (Feet)	Footcandles Beam Center	Diameter (Feet)
4	23.8	9.4
6	10.6	14.1
8	5.9	18.8
10	3.8	23.5
12	2.6	28.2
14	1.9	32.8
16	1.5	37.5

Zonal Lumen Summary

Zone	Lumens	% of Luminaire
0-30	287	31.2%
0-40	459	49.8%
0-60	768	83.4%
0-90	921	100%
90-180	0	0%
0-180	921	100%

Fixture tested per LM-79-08. Photometric data is of the performance of a representative fixture. Results may vary in the field.

Performance Data

Model Number	CCT	Lumens	Power Draw	Lumens/Watt
DCG43120SBK/ DCG43120SWH	2700	719	7.42	97
	3000	731	7.35	99
	3500	746	7.23	100
	4000	752	7.23	101
	5000	768	7.42	103
DCG63120SBK/ DCG63120SWH	2700	921	9.36	97
	3000	938	9.21	99
	3500	956	8.99	100
	4000	967	9.00	101
	5000	979	9.19	103

Recommended Dimmers*

Lutron Maestro MACL-153M
Lutron Toggle TGCL-153PH-WH
Lutron Skylark CTCL-153PDH-WH
Lutron DIVA DVWCL-153PH-WH

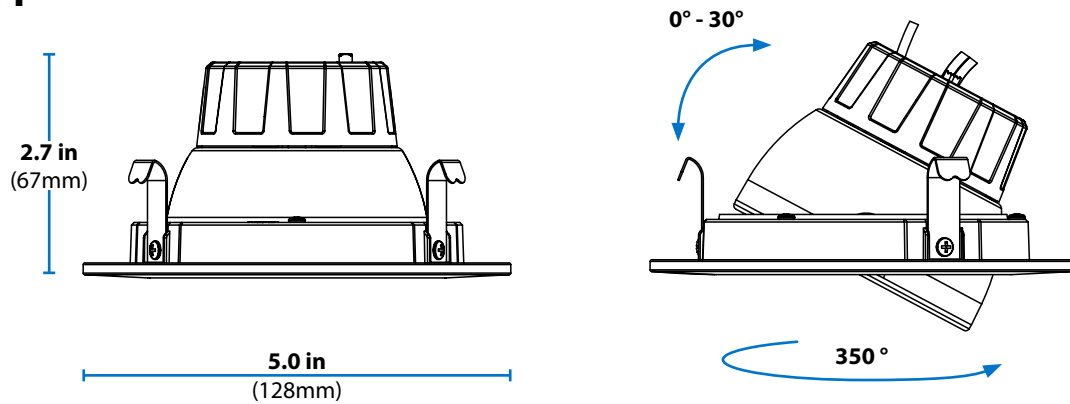
*Not a complete list. Check compatibility before installation.

Housing Compatibility*

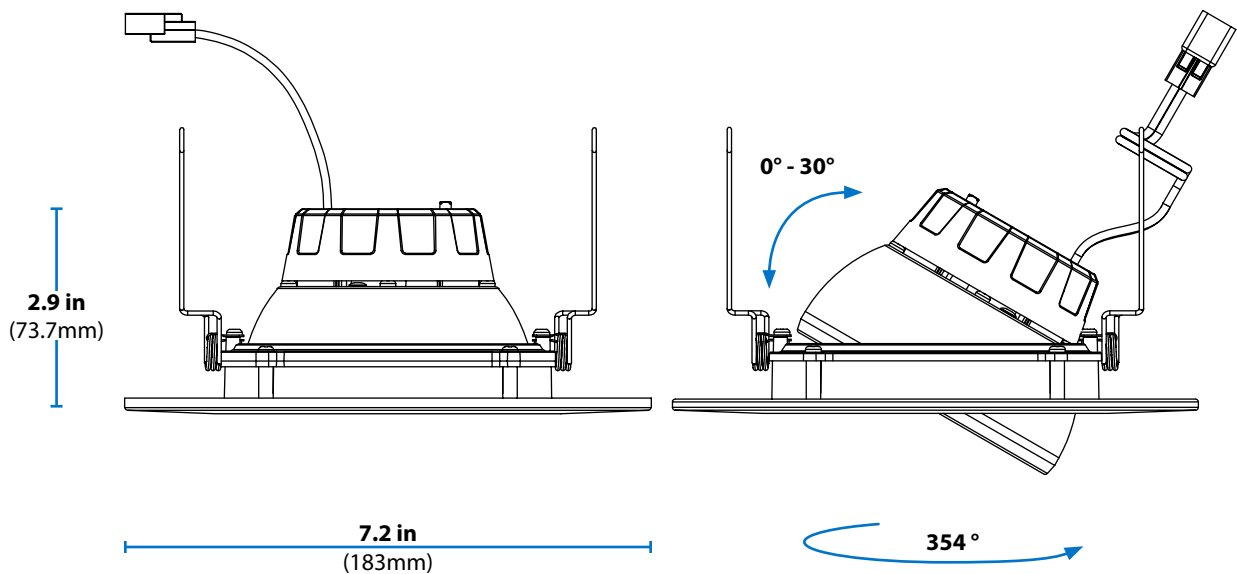
19000A 4" AIRTIGHT NEW CONSTRUCTION HOUSING
19000A-LED-ID 4" LED IC-RATED AIRTIGHT NEW CONSTRUCTION HOUSING
19001AR 4" AIRTIGHT REMODEL HOUSING
19001AR-LED-ID 4" LED IC-RATED AIRTIGHT REMODEL HOUSING
MOST STANDARD 4" HOUSINGS FOR DCG4
15006A 5" IC-RATED AIRTIGHT NEW CONSTRUCTION HOUSING
15006RA 5" IC-RATED AIRTIGHT REMODEL HOUSING
17014A 6" IC-RATED AIRTIGHT NEW CONSTRUCTION HOUSING
17014A-LED-ID 6" LED IC-RATED AIRTIGHT NEW CONSTRUCTION HOUSING
17014AR 6" IC-RATED AIRTIGHT REMODEL HOUSING
17014AR-LED-ID 6" LED IC-RATED AIRTIGHT REMODEL HOUSING
MOST STANDARD 5" and 6" HOUSINGS FOR DCG6

Dimensions

DCG4



DCG6



This device complies with part 15 of the FCC Rules. Operation is subject to the following two conditions: (1) This device may not cause harmful interference, and (2) this device must accept any interference received, including interference that may cause undesired operation.

NOTE: This equipment has been tested and found to comply with the limits for a Class B digital device, pursuant to part 15 of the FCC Rules. These limits are designed to provide reasonable protection against harmful interference in a residential installation. This equipment generates, uses and can radiate radio frequency energy and, if not installed and used in accordance with the instructions, may cause harmful interference to radio communications. However, there is no guarantee that interference will not occur in a particular installation. If this equipment does cause harmful interference to radio or television reception, which can be determined by turning the equipment off and on, the user is encouraged to try to correct the interference by one or more of the following measures:

- Reorient or relocate the receiving antenna.
- Increase the separation between the equipment and receiver.
- Connect the equipment into an outlet on a circuit different from that to which the receiver is connected.
- Consult the dealer or an experienced radio/TV technician for help.